



**OIL
PUMPS**

OIL PUMP APPLICATION GUIDE



For Performance and Replacement Applications

acl.co.nz

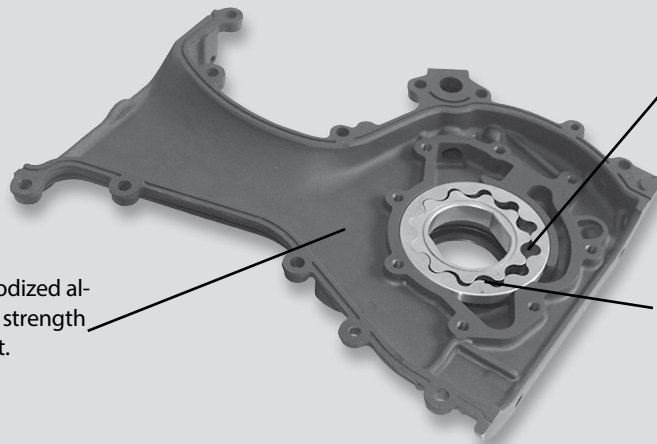


Performance Oil Pumps

ACL RACE Series performance oil pumps and passenger car oil pumps assure constant and uninterrupted flow throughout the engine's circulatory system, ensuring the lubrication system does not miss a beat. ACL RACE Series oil pumps are designed with high output and high volume capabilities featuring gerotor sets that are precision machined from steel copper alloy material. Fine tolerances ensure optimum pressure and flow.

Performance Oil Pumps

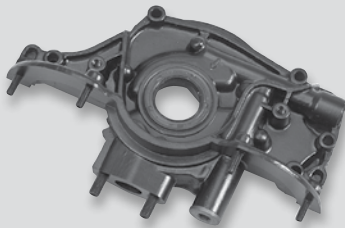
Typical Race Series performance oil pump design



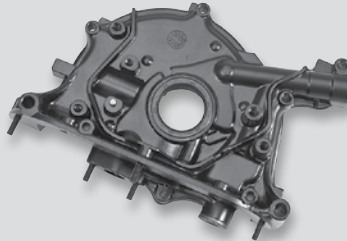
Die cast ADC-12 anodized aluminium for added strength and reduced weight.

Steel copper alloy (FCO205) gerotor sets for dependable service and reliability.

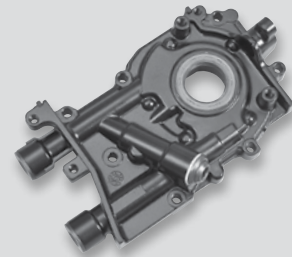
Tight tolerances for optimum pressure and flow.



OPHD1040HP



OPHD1194HP



OPHD1478HP

Performance Oil Pump features:

- Increased flow and pressure characteristics
- Individually inspected and tested to assure pressure and flow characteristics
- Warranty, refer to acl.co.nz for the Race Series warranty

Race Series Performance Oil Pump Applications

Application	Part Number
Honda CRV B20B4, B18C1, CIVIC SI B16A2, CRV B20Z2	OPHD1194HP
Honda CIVIC CRX, D15, B1, B2, CRX HF D15 B6, K6, CIVIC, D15, B7, D15Z1	OPHD1040HP
Subaru 4, EJ20/EJ22/EJ25	OPSB1478HP



PERFORMANCE OIL PUMPS

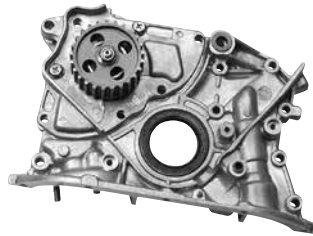


Passenger Car Oil Pumps

ACL Passenger Car Oil Pumps



OPMB1176



OPTA1057



OPMB1085



OPMB1096



OPNS1342



OPNS1045



OPTA1077

ACL Passenger Car Oil Pump Applications

Application	Part Number
Mitsubishi Eclipse Turbo 4G63 95-99, Galant 4G63K 1993, Eclipse, 420A 95-99, E55A	OPMB1085
Mitsubishi Mirage Turbo 4G61 1989-1992, Eclipse Galant 4G63 1989-1992 Eclipse Galant Turbo 4G63 1990-1992	OPMB1096
Galant/Eclipse 4G64 2003-2005, Lancer Turbo 4G63 2003-2004 1800cc Outlander 2003-2004 2300cc, Eclipse 4G69 2006-2011 2.4L	OPMB1176
Nissan 4 1998cc SR20DE/DET	OPNS1045
Nissan SR20DET 1990-2002, 200SX (S14)	OPNS1342
Toyota Corolla GTS MR2 4AGELC, GEO Prizm 1988-1997, Celica Tercel	OPTA1077
Toyota Celica Turbo 3SGTE 88-89, MR2 Turbo 3SGTE 1990-1995, Camry 5SFE 92-97	OPTA1057



OIL PUMPS

Race Series Performance Oil Pump Flow Data

Part Number	RPM	Litres/Min	Gal/Min	Hi Volume Litres/Min	Hi Volume Gal/Min
OPHD1194HP	600	5.6	1.48	6.83	1.8
	3000	27.3	7.20	33.3	8.8
	5000	32.7	8.64	39.9	10.54
OPHD1040HP	600	4.2	1.11	5.46	1.44
	3000	21.6	5.71	28.08	7.42
	5000	30.6	8.08	39.78	10.51
OPSB1478HP	600	4.9	1.29	8.5	2.25
	2000	16.8	4.44	28.8	7.61
	5000	41.3	10.91	51.2	13.53



PERFORMANCE OIL PUMPS

ACL New Zealand - Your Oil Pump Stockist

73 Lansford Crescent
PO Box 19-025
Avondale, Auckland
New Zealand

Ph: 09 8284115
Email: auto@acl.co.nz
www.acl.co.nz

